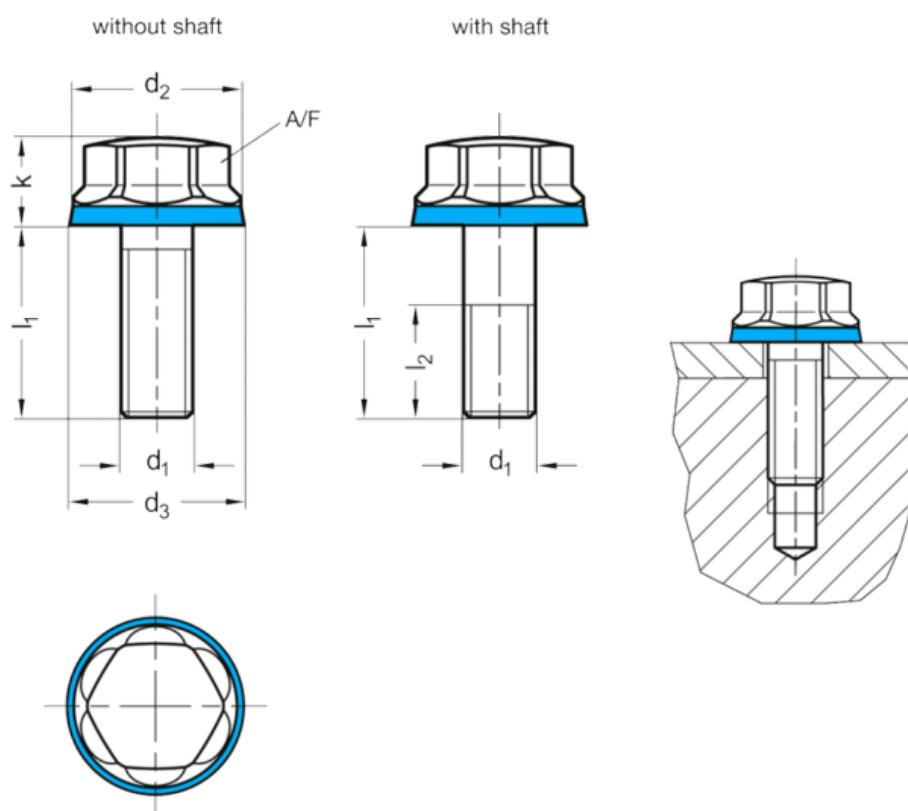


Article number: 201581M825PLE

Description: E+G Screw GN 1581-M8-25-PL-E
EPDM Sealing ring in hygienic design

Measures



A/F	= 13	Weight in (g) = 19
d1	= M8	
d2	= 16	
d3	= 16.8	
l1 without shaft	= 25	
l1 with shaft	= -	
l2	= -	
k	= 8.5	